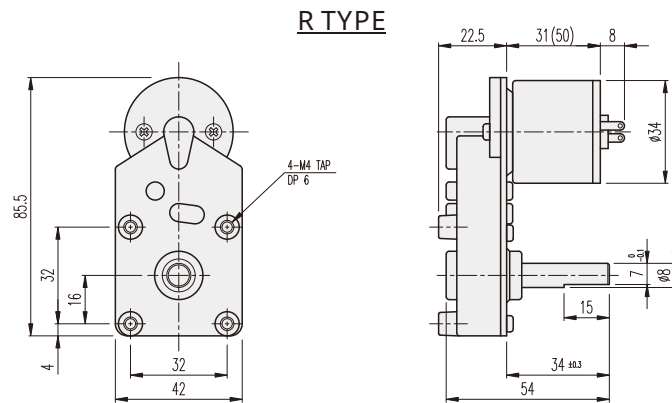
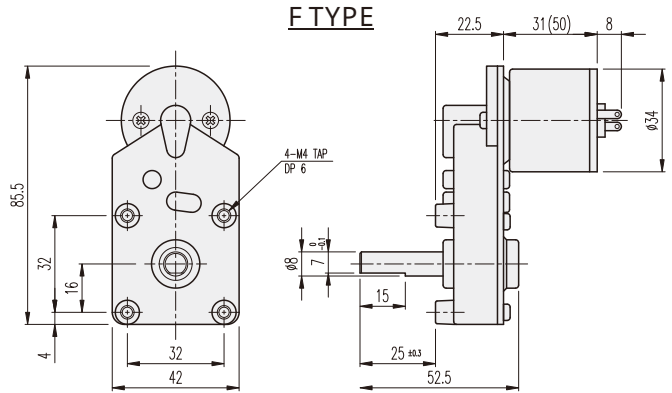
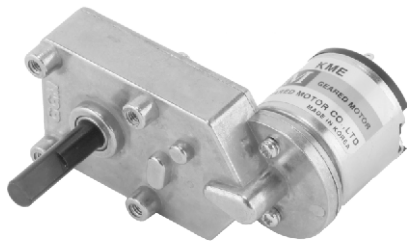


KME-TYPE

DIMENSIONS

KME SERIES



AT MAXIMUM EFFICIENCY (KME-□□□□-KD3429□□)

GEAR	MODEL	KD3429S1		KD3429S2		KD3429T1		KD3429T2		KD3429P1		KD3429P2	
		DC 12V		DC 24V		DC 12V		DC 24V		DC 12V		DC 24V	
		rpm	kgf-cm	rpm	kgf-cm	rpm	kgf-cm	rpm	kgf-cm	rpm	kgf-cm	rpm	kgf-cm
1/0022		205	0.6	205	0.6	295	0.6	295	0.6	364	1.3	364	0.6
1/0034		132	1	132	1	191	1	191	1	235	2	235	1
1/0043		104.7	1.1	104.7	1.1	151	1.1	151	1.1	186	2.5	186	1.1
1/0053		84	1.3	84	1.3	122	1.3	122	1.3	150	2.6	150	1.3
1/0060		75	1.6	75	1.6	108	1.6	108	1.6	133	3.1	133	1.6
1/0067		67.2	1.8	67.2	1.8	97	1.8	97	1.8	119	3.5	119	1.8

* 彩色齒輪比與電動機的旋轉方向相同。

AT MAXIMUM EFFICIENCY (KME-□□□□-KD3448□□)

GEAR	MODEL	KD3448S1		KD3448S2		KD3448T1		KD3448T2		KD3448P1		KD3448P2	
		DC 12V		DC 24V		DC 12V		DC 24V		DC 12V		DC 24V	
		rpm	kgf-cm	rpm	kgf-cm	rpm	kgf-cm	rpm	kgf-cm	rpm	kgf-cm	rpm	kgf-cm
1/0022		205	1.3	205	1.3	295	1.3	295	1.3	364	1.3	364	1.3
1/0034		132	2	132	2	191	2	191	2	235	2	235	2
1/0043		104.7	2.5	104.7	2.5	151	2.5	151	2.5	186	2.5	186	2.5
1/0053		84	2.6	84	2.6	122	2.6	122	2.6	150	2.6	150	2.6
1/0060		75	3.1	75	3.1	108	3.1	108	3.1	133	3.1	133	3.1
1/0067		67.2	3.5	67.2	3.5	97	3.5	97	3.5	119	3.5	119	3.5

* 彩色齒輪比與電動機的旋轉方向相同。

* 標準是F-TYPE。